

SEZ DK a.s. innovated the 63 Amps industrial cable plugs and sockets IVGN 6353 and ISGN 6353. The news is providing a newly integrated double-action cable gland acting smoothly thanks to the implemented flexible lamellar clamp and the elastic sealing gasket. Now, just by a simple screwing down of the rear plastic nut, the cable will be both kept mechanically against pulling out & twisting and also sealed against water leakage up to IP 67. From the perspective of the user, installation is greatly accelerated.



IVGN 6353 before innovation



Detail of the previously used nut



ISGN 6353 before innovation



IVGN 6353 after innovation



New nut with the spring lamellar clamp

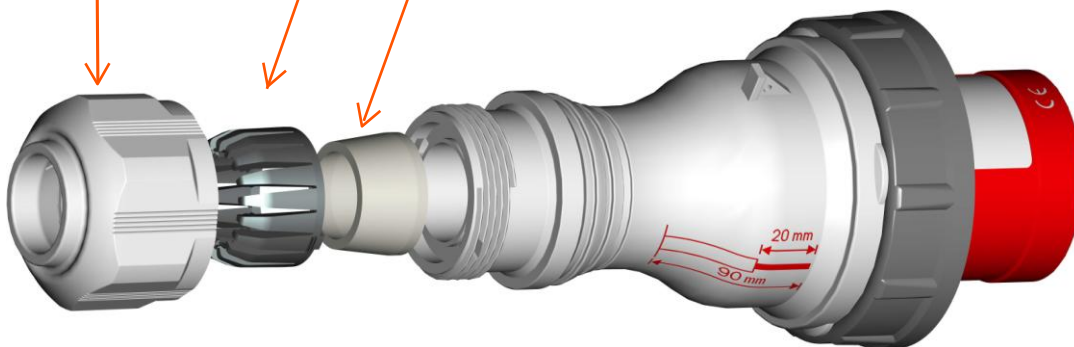


ISGN 6353 after innovation

A new design of the integrated double-action cable gland as well as the ergonomic shape of the rear nut simplifies manipulation while mounting and sealing the cable.

Thanks to two protruded studs the newly designed lamellar clamp remains safely locked in its place even during the harsh manipulation with a cable.

Elastic sealing gasket.



Type	Current	Voltage	Poles	Degree of protection	Sealing range Ø mm	Hour angle	Packing pcs	Weight g/pc
<b>ISGN 6353</b>	63 A	400 V	5	IP 67	16 - 32,5	6 h	2	960
<b>IVGN 6353</b>								780

The type IVGN 6353P – with pilot contact - is available on request.